

BAGS &
BOXES

MATTHEWS
MATTHEWS
MATTHEWS

MATTHEWS. Technology That Complements Your Imagination.

MATTHEWS
MATTHEWS
MATTHEWS

MATTHEWS
MATTHEWS
MATTHEWS

MATTHEWS. Chapter Eleven. Bags and Boxes.

MATTHEWS
MATTHEWS
MATTHEWS

SANDBAGS

Sandbags are used whenever you need extra weight to prevent tipping. You usually "bag" stands, especially when the weight is off center, such as with a heavy Scrim. They help stabilize equipment in windy situations and can counterbalance Boom Arm applications. Matthews fills our Sandbags with sanitized sand to prevent algae growth if they get damp. The empty bags are completely sewn except for a 1" seam, left open for the user to fill and then sew closed. This can save on the shipping charges, however, the user will require a heavy duty machine to sew the sandbag closed properly. The Matthbags and the Fly-A-Way bags are a must for the traveling photographer. The bags come empty, and can be filled on-site with rocks, gravel, or whatever. The Fly-A-Way has a Velcro strip to seal it and the Matthbag has 4 zippers.

ALL BAGS ARE ORANGE UNLESS OTHERWISE SPECIFIED

CATALOG #	DESCRIPTION	LBS	LIST PRICE
299576	5 lb. Sandbag - Cordura	5	\$22.00
29957E	5 lb. Empty Sandbag - Cordura	.25	16.00
299577	5 lb. Sandbag - Cordura - Black	5	22.00
299563	5 lb. Water Repellent Sandbag	5	28.00
299577E	5 lb. Empty Sandbag - Cordura - Black	.25	16.00
29958E	5 lb. Empty Water Repellant Sandbag	.25	22.00
299550	15 lb. Sandbag - Cordura	15	29.00
299559	15 lb. Sandbag - Cordura - Black	15	29.00
299558	15 lb. Water Repellant Sandbag	15	33.00
29955E	15 lb. Empty Sandbag - Cordura	.50	22.00
299559E	15 lb. Empty Sandbag - Cordura - Black	.50	22.00
29959E	15 lb. Empty Water Repellant Sandbag	.50	28.00
299552	25 lb. Sandbag Cordura	25	38.00
299553	25 lb. Sandbag - Cordura - Black	25	38.00
299599	25 lb. Water Repellant Sandbag	25	39.00
29952E	25 lb. Empty Sandbag - Cordura	.50	22.00
299553E	25 lb. Empty Sandbag - Cordura - Black	.50	22.00
29960E	25 lb. Empty Water Repellant Sandbag	.50	33.00
299556	35 lb. Sandbag Cordura	35	39.00
299557	35 lb. Sandbag - Cordura - Black	35	39.00
299560	35 lb. Water Repellant Sandbag	35	44.00
29956E	35 lb. Empty Sandbag - Cordura	.50	28.00
299557E	35 lb. Empty Sandbag - Cordura - Black	.50	28.00
29961E	35 lb. Empty Water Repellant Sandbag	.50	39.00
299551	50 lb. Sandbag - Cordura	50	55.00
299168	50 lb. Empty Sandbag - Cordura	.75	44.00
299555	Fly-A-Way Sandbag	.25	38.00
299607	MatthBag	.50	50.00

DIMENSIONS of SANDBAGS (unfilled)

5 Lb. — 17"L x 5 1/2"W	35 Lb. — 26 1/2"L x 14 1/4"W
15 Lb. — 20 1/2"L x 10 1/2"W	50 Lb. — 30 1/2"L x 14 1/2"W
25 Lb. — 22"L x 14 1/2"W	

CUSTOM COLORS & SIZES AVAILABLE UPON REQUEST

BOA BAGS®

Matthews introduces a new concept to a well established piece of grip equipment — BOA BAGS. This versatile steel shot bag quickly wraps around the base of any stand column, brace, T handle, arm, or boom. Available in three sizes. Patent Pending.

CATALOG #	DESCRIPTION	LBS	LIST PRICE
299886	BOA BAGS	5	\$39.00
299887	BOA BAGS	10	50.00
299888	BOA BAGS	15	66.00

Boa Bags and Shot Bags are also available in stainless steel filling. Please call your Matthews Sales Representative for pricing.

SANDBAGS

299559
15 LB.
SANDBAG

299599
25 LB.
SANDBAG

299556
35 LB.
SANDBAG



29957E
5 LB. EMPTY SANDBAG

299576
5 LB. SANDBAG

299607
MATTHBAG
21"L x 11"W



299555
FLY-A-WAY BAG
18"L x 11 1/2"W



PN 299888 - 15 lbs.

PN 299887 - 10 lbs.

PN 299886 - 5 lbs.



299700
SADDLE BAG

299877
SHOT BAG

SADDLE BAGS

Matthews uses sanitized sand to prevent algae growth should the bags become damp. Double handle for easy use. Available in Cordura black.

CATALOG #	DESCRIPTION	LBS	LIST PRICE
299700	20 Lb. Saddle Bag	20	\$33.00
299705	35 Lb. Saddle Bag	35	39.00



329040-1
SOUND BLANKET

329040
SOUND BLANKET

SHOT BAGS

Matthews uses steel shot instead of lead to fill these black Cordura bags. Stainless steel also available — call for details.

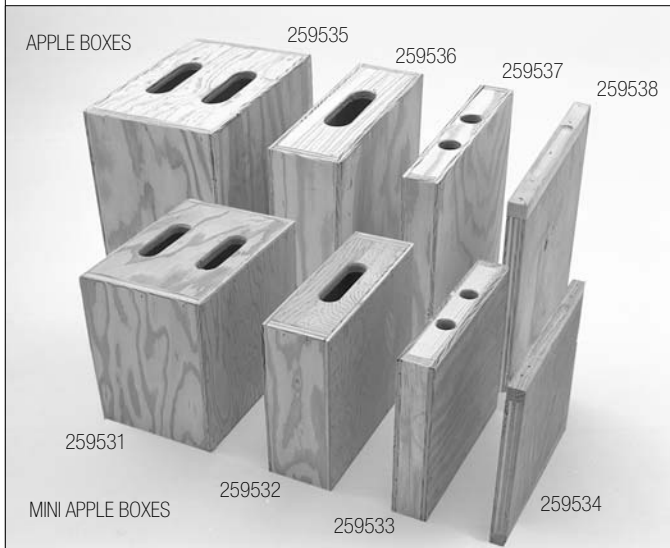
CATALOG #	DESCRIPTION	LBS	LIST PRICE
299877	5 Lb. Shot Bag	5	\$39.00
299859	15 Lb. Shot Bag	15	61.00
299853	25 Lb. Shot Bag	25	83.00

Boa Bags and Shot Bags are also available in stainless steel filling. Please call your Matthews Sales Representative for pricing.

SOUND BLANKET

Sound Blankets with Grommets can be used to blackout a window or hang in a room when added sound insulation is needed. Sound Blankets can also be used to protect equipment during transportation.

CATALOG #	DESCRIPTION	LBS	LIST PRICE
329040	Sound Blanket	5.25	\$50.00
329040-1	Sound Blanket with Grommets	5.5	61.00



APPLE BOXES

259535

259536

259537

259538

259531

MINI APPLE BOXES

259532

259533

259534

APPLE BOXES, BASSO

Manufactured of the highest quality 9 ply "Baltic Birch" plywood, Apple Boxes are some of the handiest tools to have on the set or in the studio. Use them for propping or leveling, sitting or standing. Nail Wall Plates to them to hold low angle lighting fixtures and multiple other purposes. They are precisely made, supported in the center, and dimensionally correct. A Full Apple Box is equivalent to two 1/2 Apples, four 1/4 Apples and eight 1/8 Apples (pancake). Basso Blocks supplement conventional Apple Boxes. Their unique design allows them to stack, and to get the same elevating ability as Apples, while occupying 66% less space. A full set of Basso Blocks is equivalent to twelve 1/2 Apples. A set of 1/2 Basso Blocks is equivalent to twenty-four 1/4 Apples.

CATALOG #	DESCRIPTION	LBS	LIST PRICE
259531	Full Mini Apple Box 12"x 8"x 10"	5	\$33.00
259532	Half Mini Apple Box 12"x 4"x 10"	3.25	33.00
259533	Quarter Mini Apple Box 12"x 2"x 10"	2.25	33.00
259534	Eighth Mini Apple Box 12"x 1"x 10"	2	33.00
259535	Full Apple Box — 12"x 8"x 20"	9.5	39.00
259536	Half Apple Box — 12"x 4"x 20"	6.25	39.00
259537	Quarter Apple Box — 12"x 2"x 20"	4.5	39.00
259538	Eighth Apple Box — 12"x 1"x 20"	4.25	39.00
259560	Full Basso Block — 10"x 6.5"x 4"	2	22.00
259561	Half Basso Block — 10"x 6.5"x 2"	1.25	22.00
259562	Full Basso Block Set (12 blocks) with carrier	28	357.00
259563	Half Basso Block Set (24 blocks) with carrier	32	721.00



259562
BASSO BLOCKS

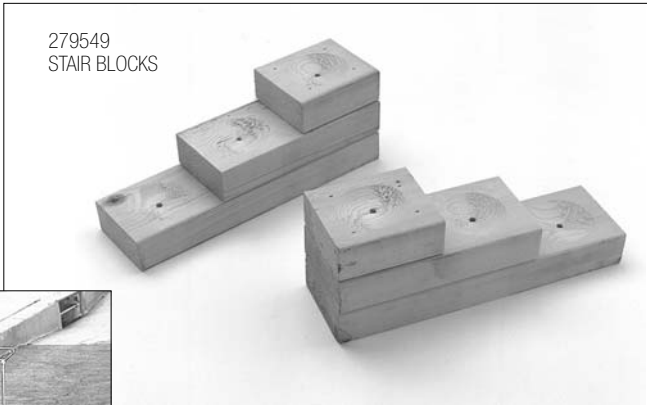
BAGS & BOXES

WOOD PRODUCTS

STAIR BLOCKS

One of a number of versatile tools for adjusting POV. The effective range of stair blocks is from 1-1/2" to 3" or 4-1/2" in height.

CATALOG #	DESCRIPTION	LBS	LIST PRICE
279549	Stair Blocks — Set of 2	3.5	\$50.00



279549
STAIR BLOCKS



SCRIM & FLAG BOXES

Scrim and Flag Boxes will hold approximately ten pieces per box. A 4-Place Scrim/Flag Box will hold eight Open End Scrim or four Flags per compartment.

CATALOG #	DESCRIPTION	LBS	LIST PRICE
179541	18" x 24" Scrim / Flag Box	16	\$187.00
179548	24" x 30" Scrim / Flag Box	17	215.00
179542	24" x 36" Scrim / Flag Box	21	215.00
179543	30" x 36" Scrim / Flag Box	22.5	215.00
179563	4 Place Scrim / Flag Box	61.5	440.00
179554	Castered Base for 4 place box	20	358.00

CLIP BOARDS

Clip Boards provide another dimension in lighting control. Can be used as an additional leaf on a barn door.

CATALOG #	DESCRIPTION	LBS	LIST PRICE
289518	Baby Clip Board	.25	\$18.00
289519	Junior Clip Board	.25	22.00
289520	Senior Clip Board	.75	24.00

TRACK & CAMERA WEDGES

Track and camera wedges are used to level track and create perfect vertical or horizontal conditions. May be driven into place with the use of a hammer.

CATALOG #	DESCRIPTION	LBS	LIST PRICE
399734	Track Wedge (each)	.50	\$3.00
399744	Camera Wedge (each)	.25	2.00



179541
SCRIM STORAGE BOX



179563
4 PLACE SCRIM / FLAG BOX



289520
CLIP BOARD

399734
TRACK
WEDGES

399744
CAMERA WEDGES

BAGS & BOXES



179579
GRIP ELECTRICAL STAGE BOX
WITH GEL DRAWERS

WOOD PRODUCTS

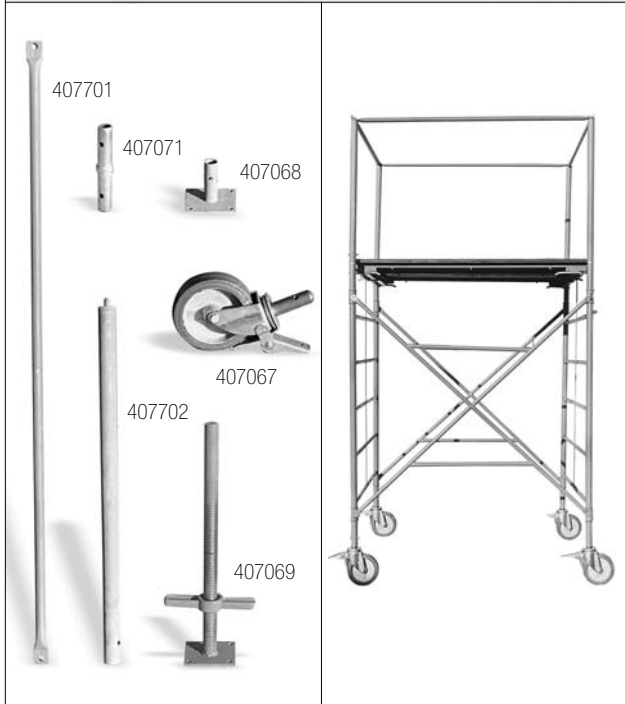
GRIP / ELECTRICAL STAGE BOXES

Commonly used to store Gels, lighting control filters, tools, grip, electrical materials, and just about anything else a Gaffer or Grip might need on the set. Castered bases facilitate rolling.

CATALOG #	DESCRIPTION	LBS	LIST PRICE
179569	Grip / Electric Stage Box 24" x 48" x 48"	175	\$2750.00
179570	Castered Base with Locking Bar for Grip / Electric Box 179569/79	40	358.00
179683	Grip / Electric Stage Box 24" x 60" x 48"	200	2970.00
179684	Castered Base with Locking Bar for Grip / Electric Box 179683	70	358.00
179579	Grip / Electrical Stage Box 24" x 48" x 48" With Gel Drawers	175	2750.00



179684
CASTERED BASE



PARALLELS

Portable lightweight scaffolding primarily used for elevating the camera position or as lighting towers at temporary locations. Made of lightweight tubing, the modular design allows several sections to be stacked one on top of the other for greater height. Matthews Parallels are designed to fold and disassemble for easy storage and transportation. Platforms are made in two sections for easier assembly. Parallels can be mounted on wheels, feet, or Screw Jacks for leveling on uneven terrain. Footprint dimensions are 5' x 5' and each frame is 6' high. Matthews #407069 Screw Jacks are designed to receive both wheels and feet for ease of operation and to simplify leveling without having to change accessories.

CAUTION: Posts and Handrails must always be used as a safety precaution. When raising heavy equipment, extreme caution must be taken to avoid accidents and personal injury.

CATALOG #	DESCRIPTION	LBS	LIST PRICE
407065	Parallel Frame 5' x 5' x 6'H Set of 2	87	\$743.00
407066	Parallel Tops Set of 2	87	440.00
407068	Parallel Feet Set of 4	7	88.00
407701	Parallel Hand Rails Set of 4	12	251.00
407702	Parallel Posts Set of 4	12	204.00
407072	Parallel Quick Release Pin (each)	.25	9.00
407069	Parallel Screw Jacks Set of 4	42	550.00
407071	Parallel Stacking Pin (each)	1.75	27.00
407067	Parallel Wheels with Brake Set of 4	59	440.00

LADDERS

All Matthews Ladders are made to the highest standard and have a 300 lb. workload rating. Manufactured with solid fiberglass channels, these ladders feature 3" wide, anti-skid, serrated aluminum steps which are secured with 6 rivets. All Ladders meet or exceed ANSI or OSHA requirements.

CAUTION: Ladders are a potentially dangerous piece of equipment if not used properly! Please read and heed all caution and warning labels posted on each ladder.

CATALOG #	DESCRIPTION	LBS	LIST PRICE
549130	4 ft Double Sided Ladder	25	\$281.00
549135	4 ft Single Sided Ladder	14	209.00
549131	6 ft Double Sided Ladder	20.5	380.00
549136	6 ft Single Sided Ladder	23	259.00
549132	8 ft Double Sided Ladder	35.5	479.00
549137	8 ft Single Sided Ladder	33	363.00
549133	10 ft Double Sided Ladder	59	627.00
549138	10 ft Single Sided Ladder	41	479.00
549134	12 ft Double Sided Ladder	70	732.00
549139	12 ft Single Sided Ladder	51	556.00
549129	20 ft. Extension Ladder	60	512.00

549132
8' LADDER

549130
4' LADDER

