

BOOMS &
ARMS

MATTHEWS
MATTHEWS
MATTHEWS

MATTHEWS. Technology That Complements Your Imagination.

MATTHEWS
MATTHEWS
MATTHEWS

MATTHEWS
MATTHEWS
MATTHEWS

MATTHEWS. Chapter Seven. Booms and Arms.

MATTHEWS
MATTHEWS
MATTHEWS

JUNIOR BOOM

The largest and heaviest duty boom currently made by Matthews. The Junior Boom measures 68" when fully collapsed, and will extend to over 10 feet. The Junior Boom has a 25-pound counter balance weight attached and features the same tilt-locking and mounting mechanism found on the Baby Boom. Matthews #427805 Junior Drop Down can be used to keep light banks level.

CATALOG #	DESCRIPTION	LBS	LIST PRICE
427803	Junior Boom	41	\$413.00

BABY BOOM

Similar in construction to the Mini Boom, this boom utilizes a much heavier duty tilt locking device and can be mounted on a stand with either a Junior Receiver or a Baby Pin. Extends from 45" to over 80".

CATALOG #	DESCRIPTION	LBS	LIST PRICE
427801	Baby Boom	11	\$250.00

MINI BOOM

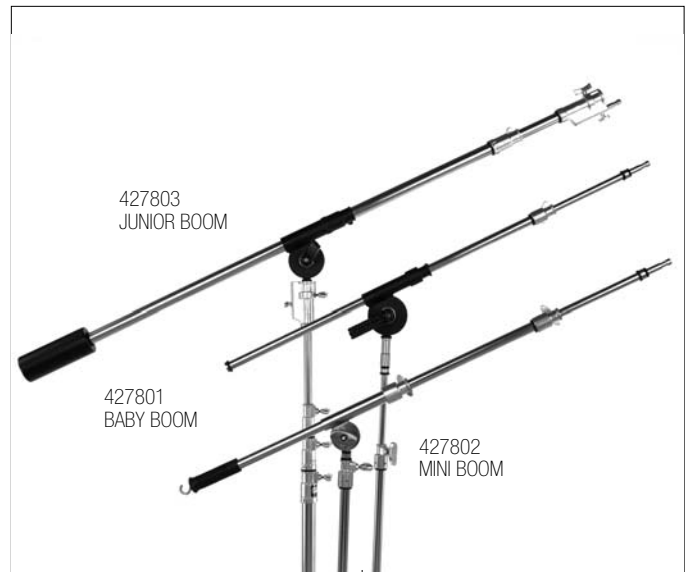
Designed because of the growing demand for a boom which would not bend when an array of accessories were added to small lighting fixtures or strobes, such as light banks, egg crates etc. Made completely out of steel, the Mini Boom mounts on a 5/8" Baby Pin and will extend over 80", terminating in a 5/8" pin. A hook is provided at the rear end of the boom to accommodate a sandbag for balancing. The use of a Baby Drop Down #427804 will keep the lighting instrument level. Extends from 45" to over 80".

CATALOG #	DESCRIPTION	LBS	LIST PRICE
427802	Mini Boom	7.5	187.00
B427802	Mini Boom — Black	7.5	187.00

DROP DOWNS

Drop Downs are most commonly used on Lighting Booms. The pivoting mounting allows the use of a light box or other lighting instruments to maintain a horizontal position regardless of the angle of the boom. The 45° Angle Drop Down is primarily used with reflectors to allow their use at lower angles than most stands permit.

CATALOG #	DESCRIPTION	LBS	LIST PRICE
427804	Baby Drop Down	1.25	\$ 55.00
427805	Junior Drop Down	4.75	105.00
429688	Drop Down — 45° Angle	2.75	61.00



CAUTION:

Any light boom that is not properly balanced is extremely dangerous on a set.

When calculating the proper stand to attach the boom, be sure to include the amount of counter weight in addition to the lighting fixture and accessories being used.



OFFSET ARMS

Offset Arms are a convenient tool when a lighting fixture needs to be placed off-center for the purpose of hiding the stand behind a set wall or coming over the top of the set. The Baby Extendable Offset Arm terminates in double 5/8" pins and the Junior Extendable Offset Arm terminates in a single 1-1/8" Junior Posi-V-Lock Receiver. Both extend from 18" to 25".

CATALOG #	DESCRIPTION	LBS	LIST PRICE
430126	Hollywood Extendable Baby Offset Arm	3.5	\$121.00
430127	Hollywood Junior Extendable Offset Arm	7	121.00

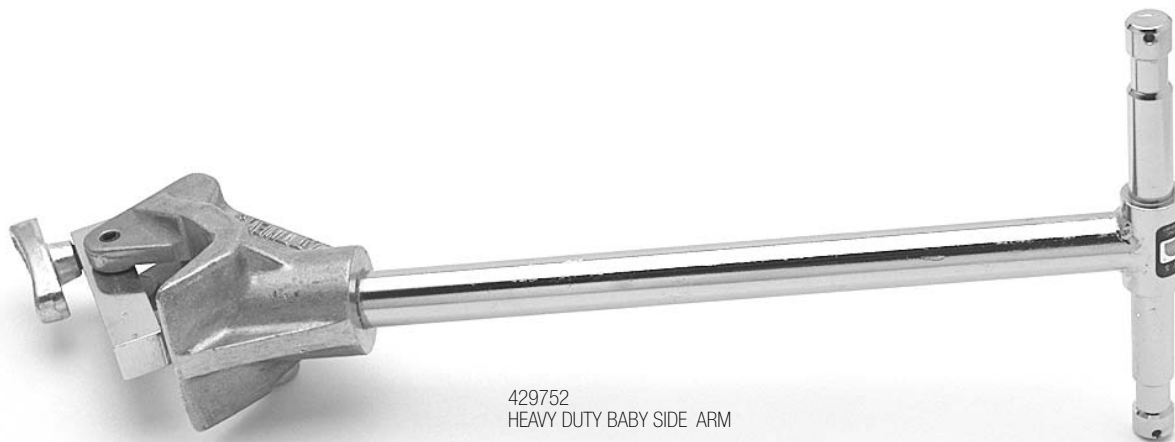


SIDE ARMS

Side Arms can be clamped anywhere on the stand riser, allowing a light to be lowered to just above the legs and slightly offset, without the need for another stand. The Heavy Duty Side Arms utilize a special vice clamp and are made with heavier materials. In both cases, the Baby terminates in double 5/8" pins and the Junior in a single 1-1/8" Posi-V-Lock receiver.

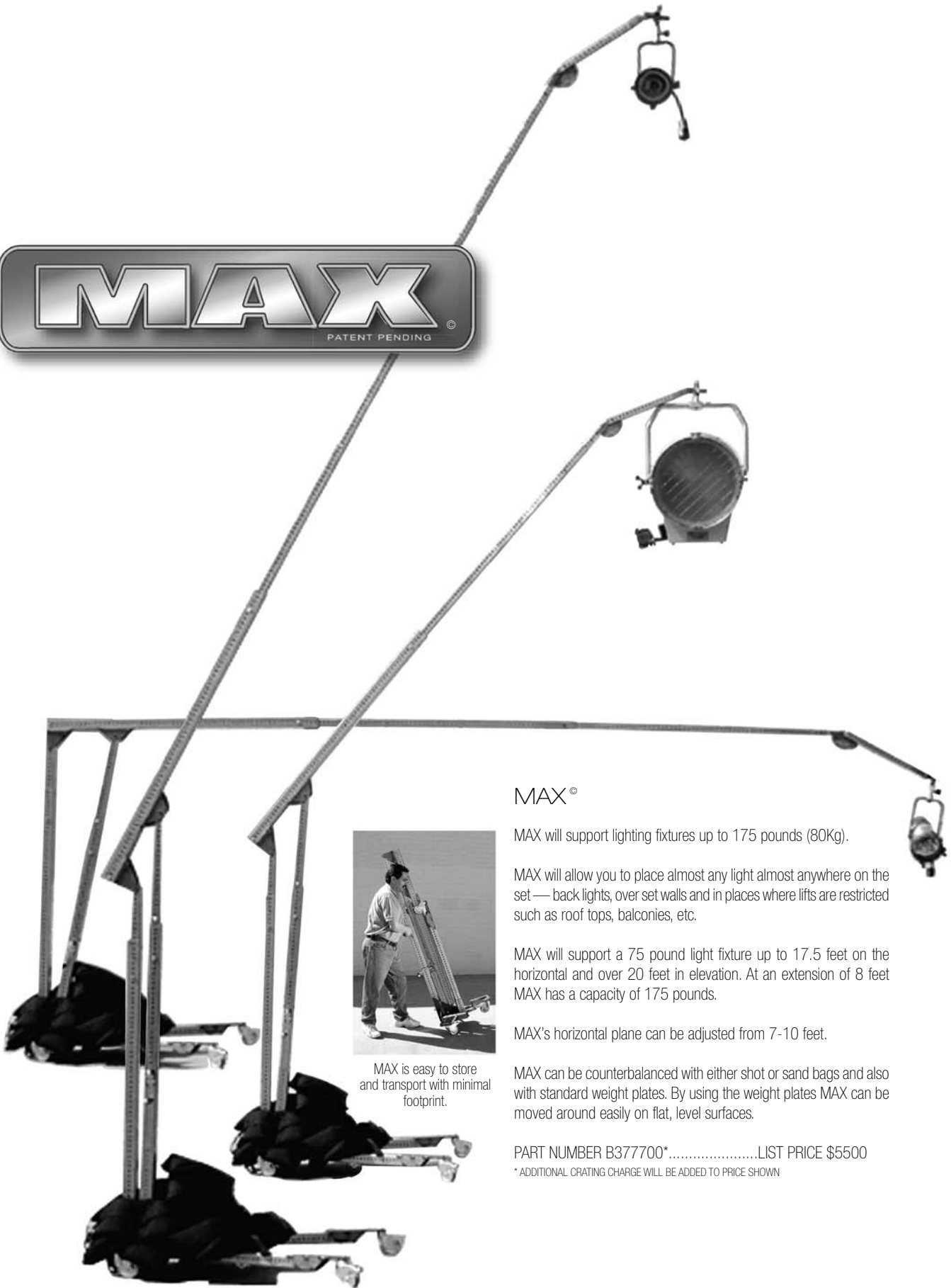
CAUTION: When using a Side Arm, place a sandbag on the far leg with the same amount of weight as the light fixture. This will help prevent tipping of the stand.

CATALOG #	DESCRIPTION	LBS	LIST PRICE
429752	Heavy Duty Baby Side Arm	2	\$110.00
429751	Heavy Duty Junior Side Arm	2.5	116.00



MAX[®]

PATENT PENDING



MAX is easy to store and transport with minimal footprint.

MAX[®]

MAX will support lighting fixtures up to 175 pounds (80Kg).

MAX will allow you to place almost any light almost anywhere on the set — back lights, over set walls and in places where lifts are restricted such as roof tops, balconies, etc.

MAX will support a 75 pound light fixture up to 17.5 feet on the horizontal and over 20 feet in elevation. At an extension of 8 feet MAX has a capacity of 175 pounds.

MAX's horizontal plane can be adjusted from 7-10 feet.

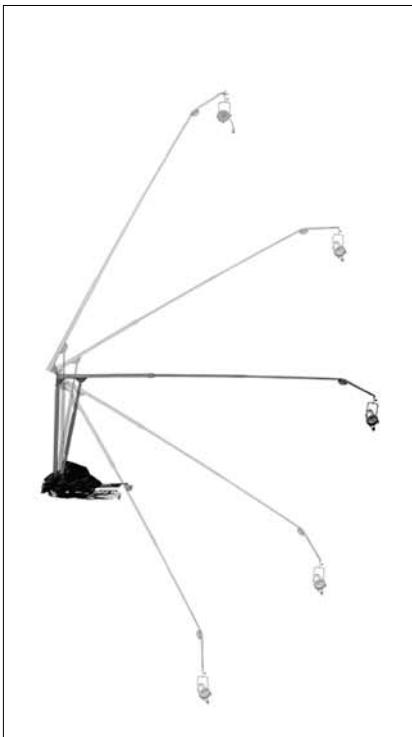
MAX can be counterbalanced with either shot or sand bags and also with standard weight plates. By using the weight plates MAX can be moved around easily on flat, level surfaces.

PART NUMBER B377700*.....LIST PRICE \$5500

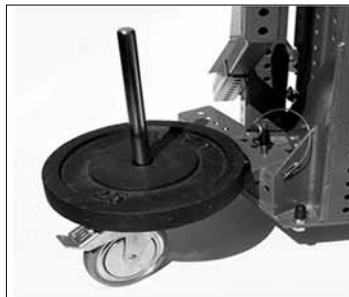
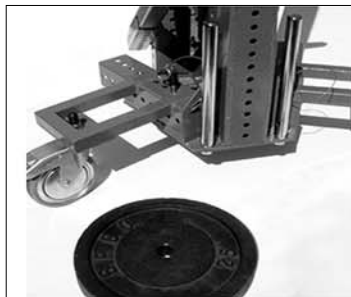
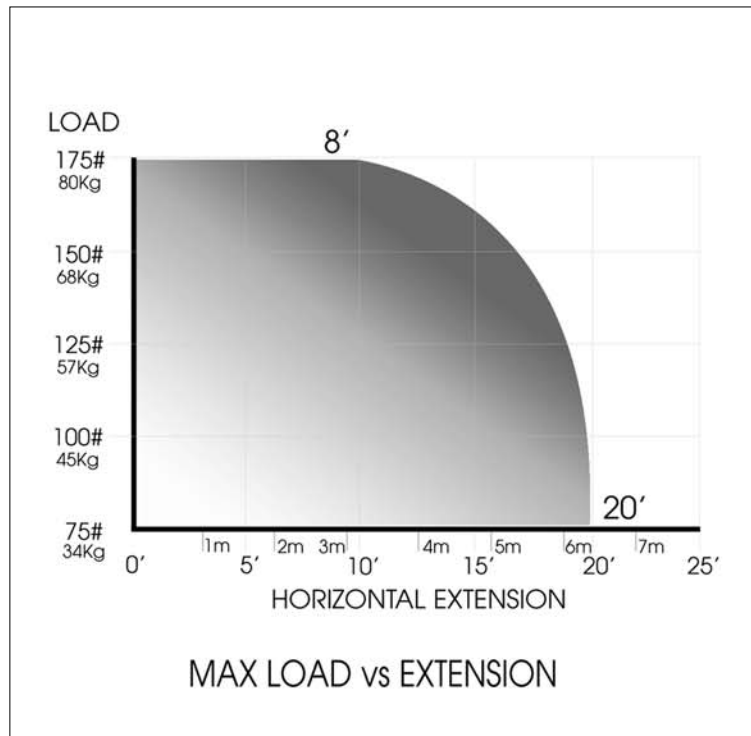
* ADDITIONAL CRATING CHARGE WILL BE ADDED TO PRICE SHOWN

More MAX FACTS

- MAX can be positioned flush against a wall.
- MAX can be positioned parallel up to a 10' ceiling.
- MAX at a height of 6'6" goes through doorways.
- 16' extension without adapter. 17.5' extension with adapter.
- Self leveling head with Baby Pin and Junior Receiver.
- Fast and easy setup or tear down.
- Easily movable at full extension on level surfaces.
- Angles are adjustable with light fixture attached.
- Use for lights, flags, frames, branch holders or even cameras.
- 3:1 weight ratio



MAX works below the horizontal eliminating the need for scaffolding.

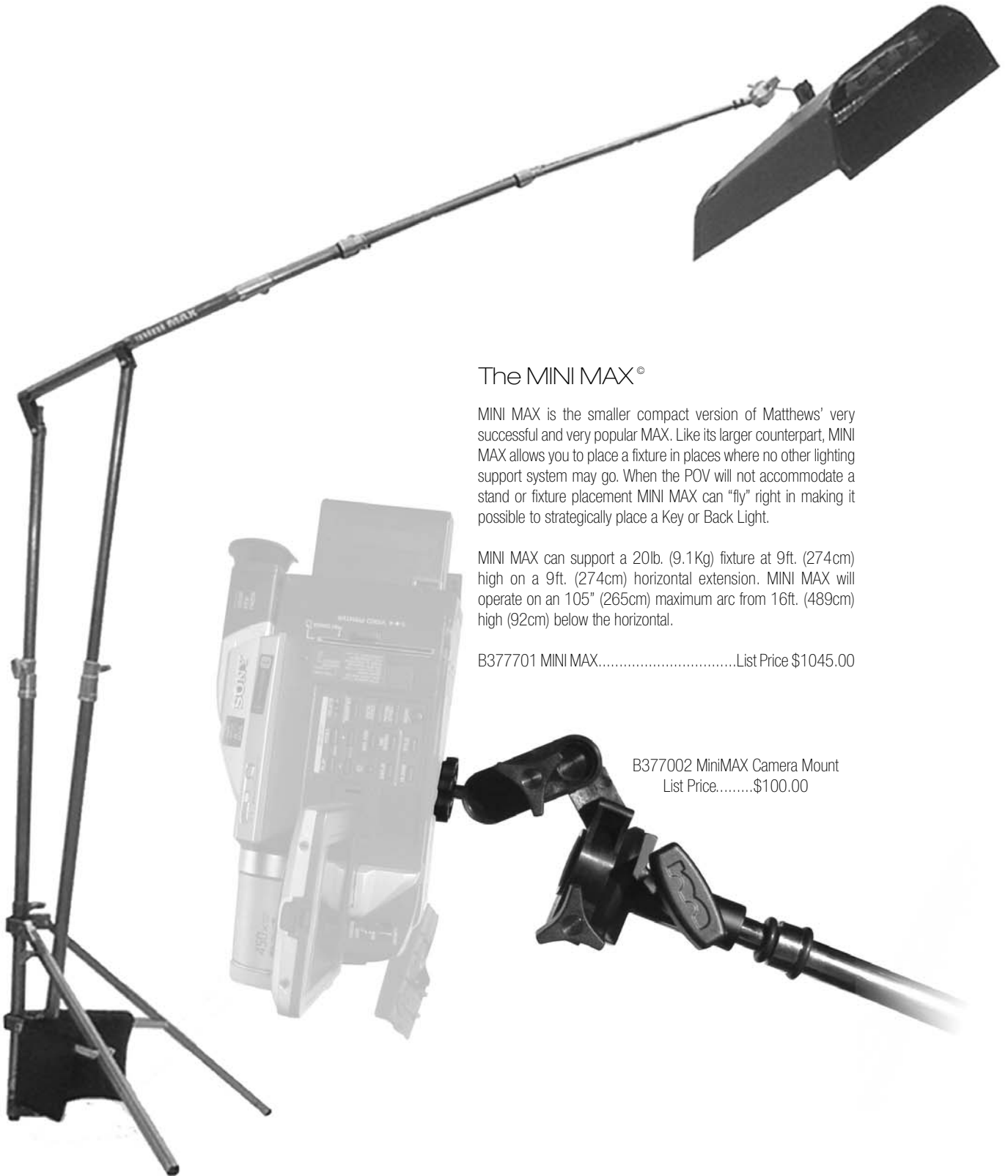


Reposition the chromed weight post from its storage position and add 25 lb. weights to each side as required to counterbalance the load. Weights shown not included.

mini MAX[®]

PATENT PENDING

BOOMS &
ARMS



The MINI MAX[®]

MINI MAX is the smaller compact version of Matthews' very successful and very popular MAX. Like its larger counterpart, MINI MAX allows you to place a fixture in places where no other lighting support system may go. When the POV will not accommodate a stand or fixture placement MINI MAX can "fly" right in making it possible to strategically place a Key or Back Light.

MINI MAX can support a 20lb. (9.1Kg) fixture at 9ft. (274cm) high on a 9ft. (274cm) horizontal extension. MINI MAX will operate on an 105" (265cm) maximum arc from 16ft. (489cm) high (92cm) below the horizontal.

B377701 MINI MAX.....List Price \$1045.00

B377002 MiniMAX Camera Mount
List Price.....\$100.00

