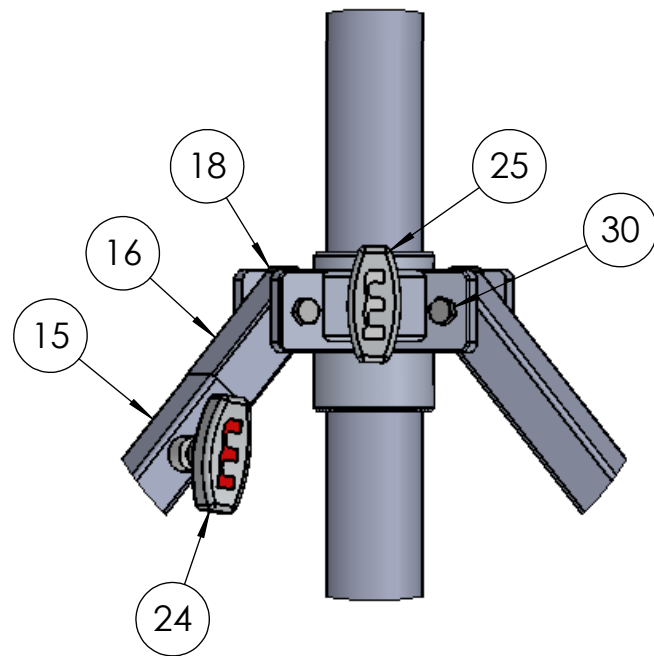
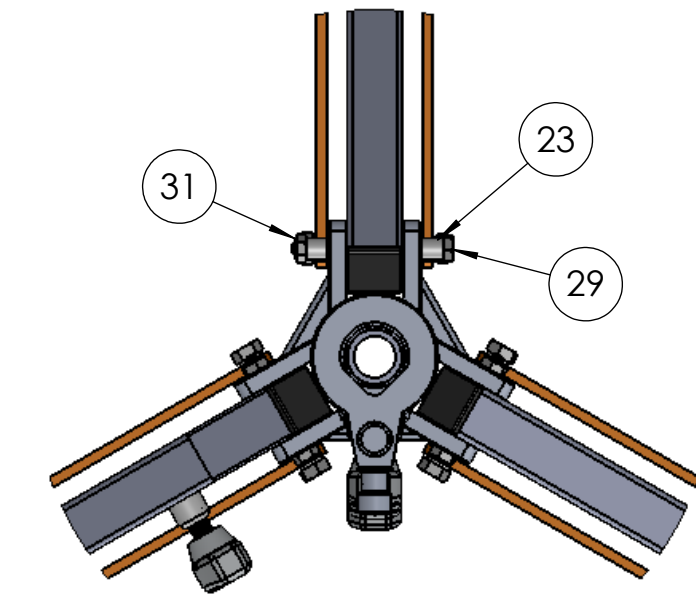
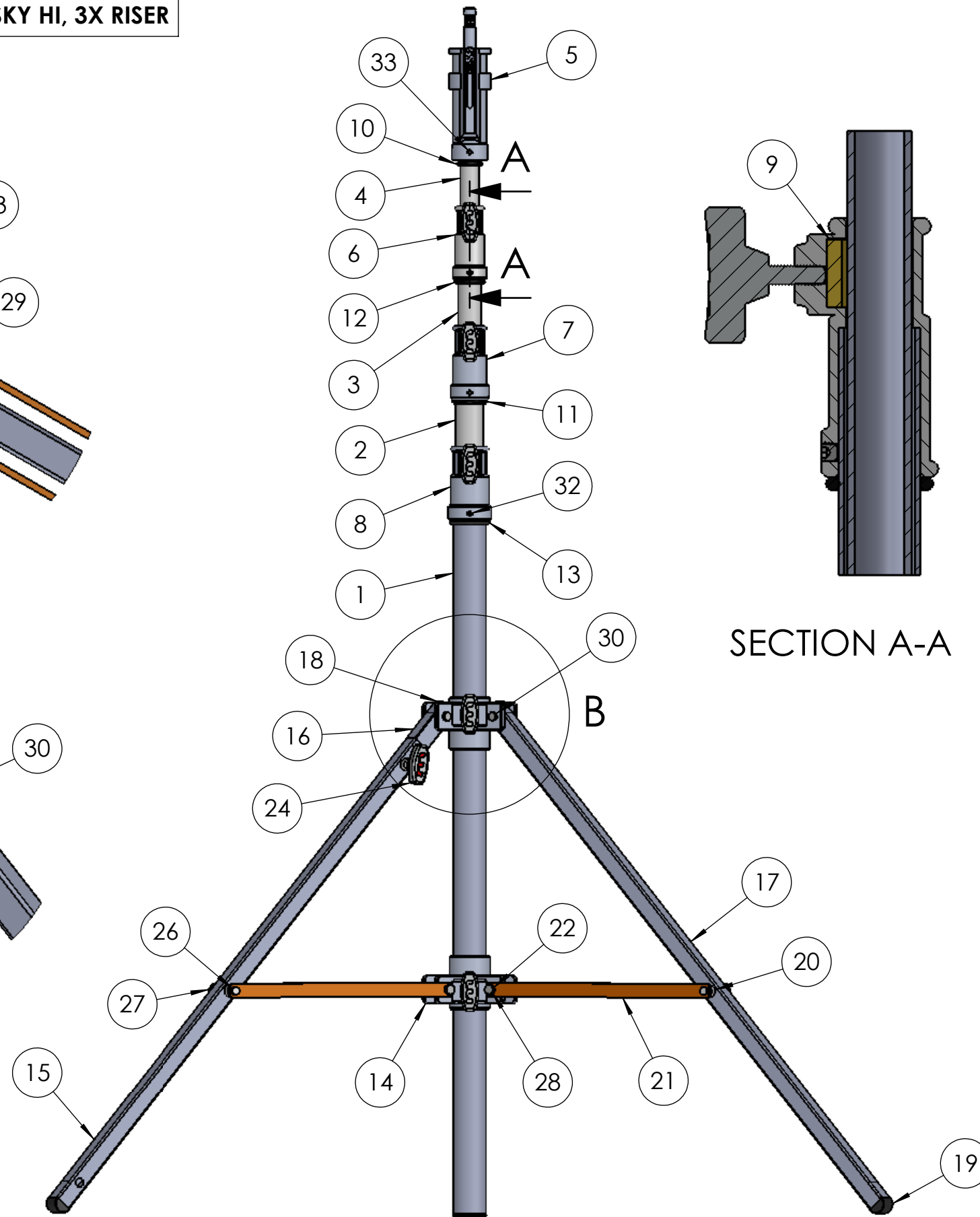


PART #	DESCRIPTION
366065	STD, COMBO, SKY HI, 3X RISER



DETAIL B



SECTION A-A

ITEM NO.	PART NUMBER	DESCRIPTION	QTY.
1	12035-12	TB, ST, 1.75D, @40.0" FLAIR	1
2	12004	TB, ST, 1.5D, @39.0", FLAIR	1
3	13002	TB, ST, 1.25D, @43.0", FLAIR	1
4	366065-6	TOP RISR WMT, 1.0D, 47"HD	1
5	4007	POP-UP HSG ASY, JR-V W/HANDLE	1
6	4010	RISR HSG#54, 1.25->1.0W/THANDL	1
7	4003	RISR HSG, #56, 1.5->1.25DW/THNDL	1
8	4002	RISR HSG#76, 1.75->1.5D W/THNDL	1
9	62102-01	NEW BRAKE BRASS PAD LARGE	5
10	3001/100	O-RING, #318, 1.0" ID	1
11	3005/100	O-RING, #325, 1.5 ID	1
12	3016/100	O-RING, #322, 1.25 ID	1
13	3010/100	O-RING, #327, 1.75 ID	1
14	4009	SPIDR HSG:#112:1.75D	2
15	366065-8	RML LWR WMT, ST, 33.5"	1
16	2020	RML EXT WMT, COMBO	1
17	16005	LEG, ST, 1.0SQ, @36.0"	2
18	3019/100	CAP, BLK, FITS, 1.0 SQ, #16	3
19	3020	FOOT, BLK, FITS, 1.0 SQ, #16	3
20	3018/100	SPACR, NYL, .625D @ .375" #167 NN	6
21	H29002	BRACE, AL, .75 X .19, @ 14.0" MOD	6
22	1106/100	BSH, AL, .44 X .34, @ .285	6
23	1096/100	SPACR, AL, .375 X .29 @ .407	2
24	2109	T-HAND, B, 3/8-16, @.88:, NURLD	1
25	2111	T-HAND, 3/8-16, @.88" BULLET	5
26	1092/100	CS, HX, 1/4-20, @2.5"	3
27	1010/100	LNUT, HX, 1/4-20	3
28	1124/100	CS, HX, 5/16-18, @ .63"	6
29	1095/100	CS, HX, 1/4-20, @ 2.75" GR5	1
30	1100/100	CS, HX, 1/4-20, @ 2.0", GR5	2
31	1229/100	LNUT, HX, 1/4-20, THIN	3
32	1104/100	SET, SC, 5/16-18, @.25"SNK PLT K	9
33	25-1127	SET, SOC, SS. 5/16-18, @ .5"	3