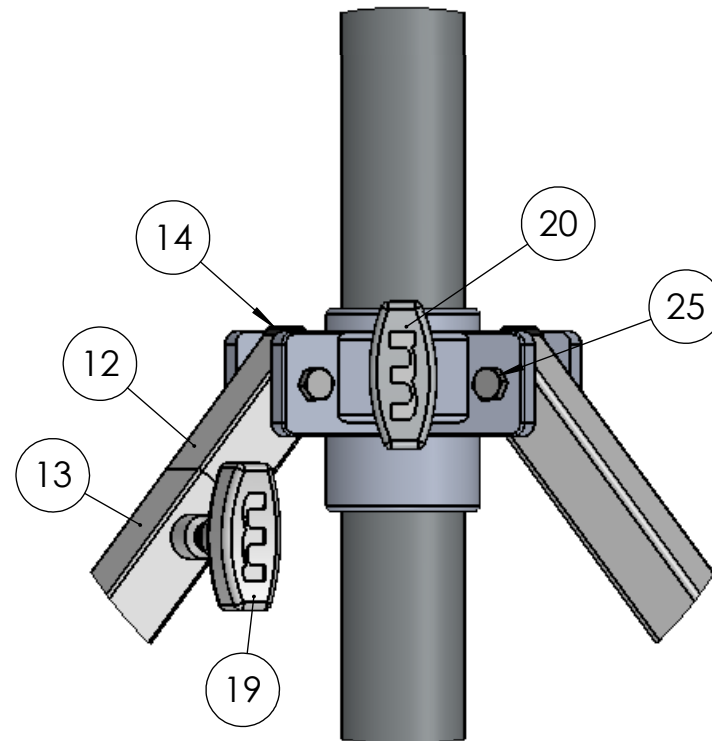
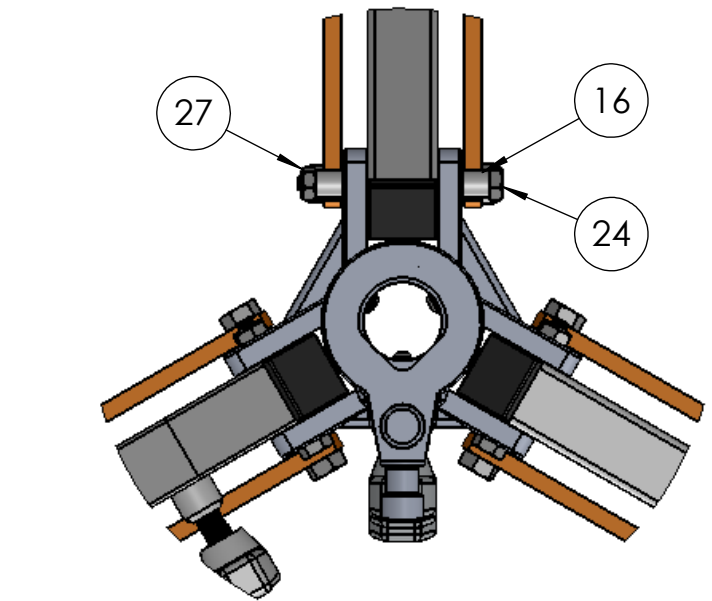
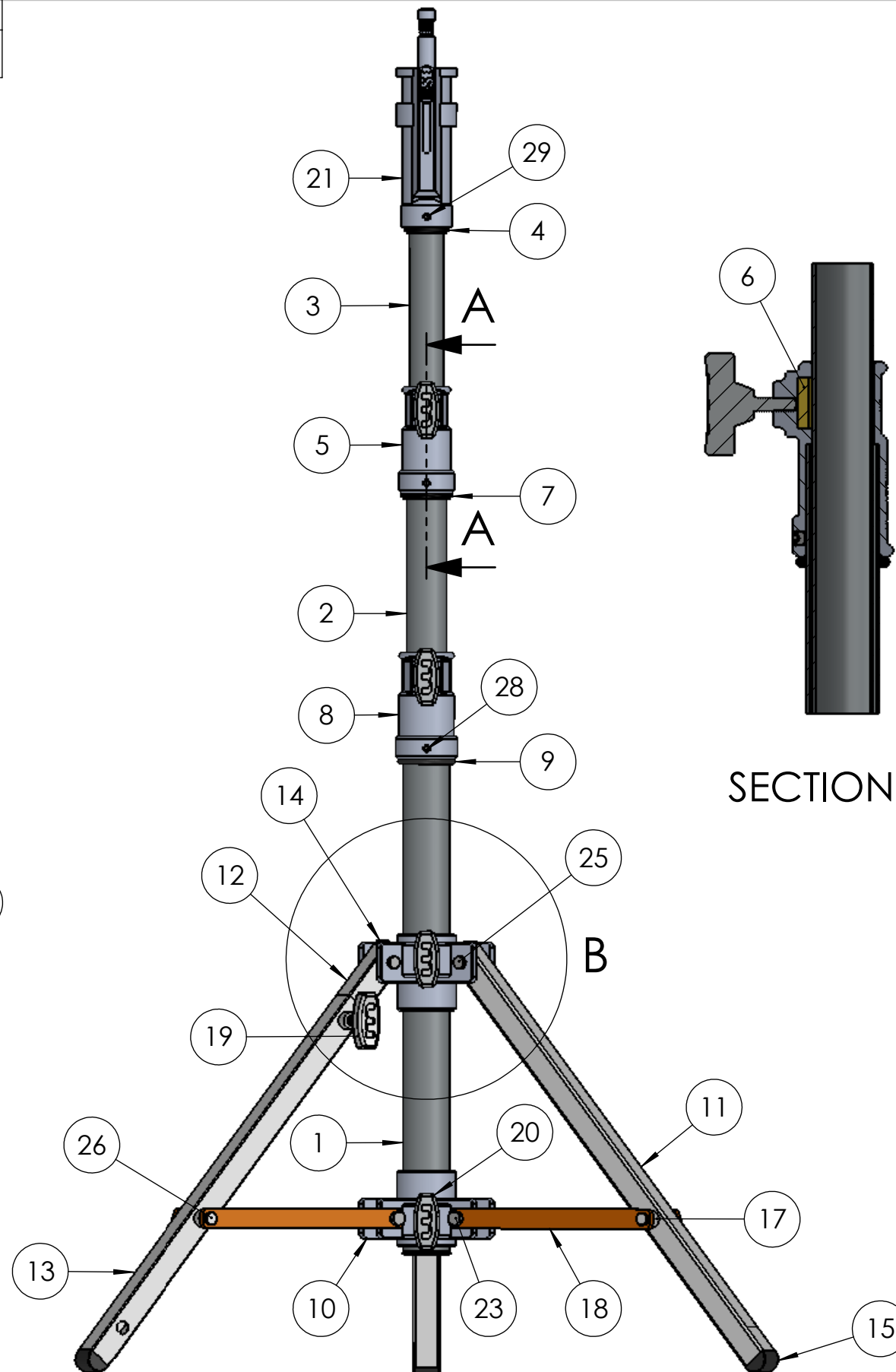


PART #	DESCRIPTION
366066	STD,COMBO,LBOY,2XR



DETAIL B



SECTION A-A

ITEM NO.	PART NUMBER	DESCRIPTION	QTY.
1	366066-3	TB, ST, 1.75D, @21.0" FLAIR	1
2	366066-4	TB, ST, 1.5D, @24.0"FL	1
3	366066-5	RISER TUBE, ST @ 27"	1
4	3016/100	O-RING, #322, 1.25 ID	1
5	4003	RISR HSG,#56,1.5->1.25DW/THNDL	1
6	62102-01	NEW BRAKE BRASS PAD LARGE	4
7	3005/100	O-RING, #325, 1.5 ID	1
8	4002	RISR HSG#76,1.75->1.5D W/THNDL	1
9	3010/100	O-RING, #327, 1.75 ID	1
10	4009	SPIDR HSG:#112:1.75D	2
11	16002	LEG, ST, 1.0SQ, @20"	2
12	2025	RML EXT WMT,LOWBOY	1
13	366066-8	RML LWR WMT, ST 17.5"	1
14	3019/100	CAP, BLK, FITS, 1.0 SQ, #16	3
15	3020	FOOT, BLK, FITS, 1.0 SQ, #16	3
16	1096/100	SPACR, AL, .375 X .29 @ .407	2
17	3018/100	SPACR, NYL, .625D @ .375" #167 NN	6
18	H29008	BRACE, AL, .75 X .25, @ 8.75"	6
19	2109	T-HAND, B, 3/8-16, @.88:, NURLD	1
20	2111	T-HAND, 3/8-16, @.88" BULLET	4
21	4007	POP-UP HSG ASY,JR-V W/HANDLE	1
22	1106/100	BSH, AL, .44 X .34, @ .285	6
23	1124/100	CS, HX, 5/16-18, @ .63"	6
24	1095/100	CS, HX, 1/4-20, @ 2.75" GR5	1
25	1100/100	CS, HX, 1/4-20, @ 2.0", GR5	2
26	1092/100	CS,HX,1/4-20,@2.5"	3
27	1229/100	LNUT, HX, 1/4-20, THIN	6
28	1104/100	SET, SC, 5/16-18, @.25"SNK PLT K	6
29	25-1127	SET, SOC,SS. 5/16-18, @ .5"	3