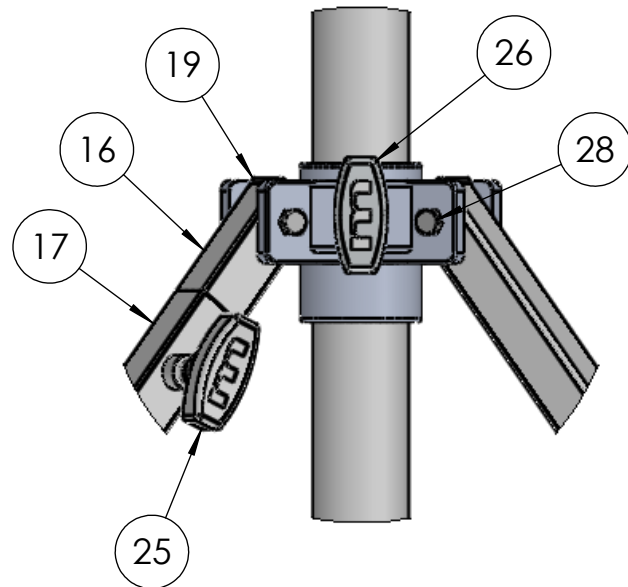
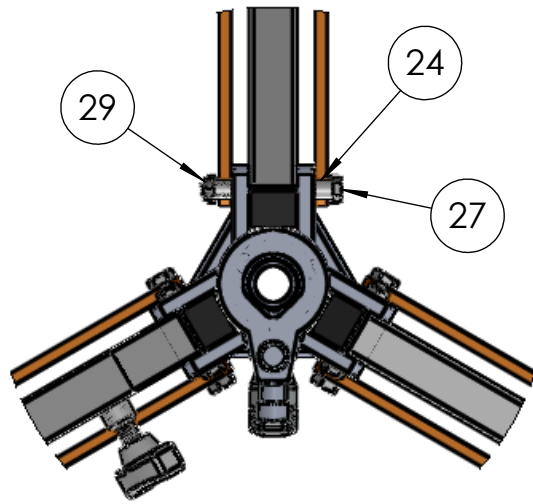
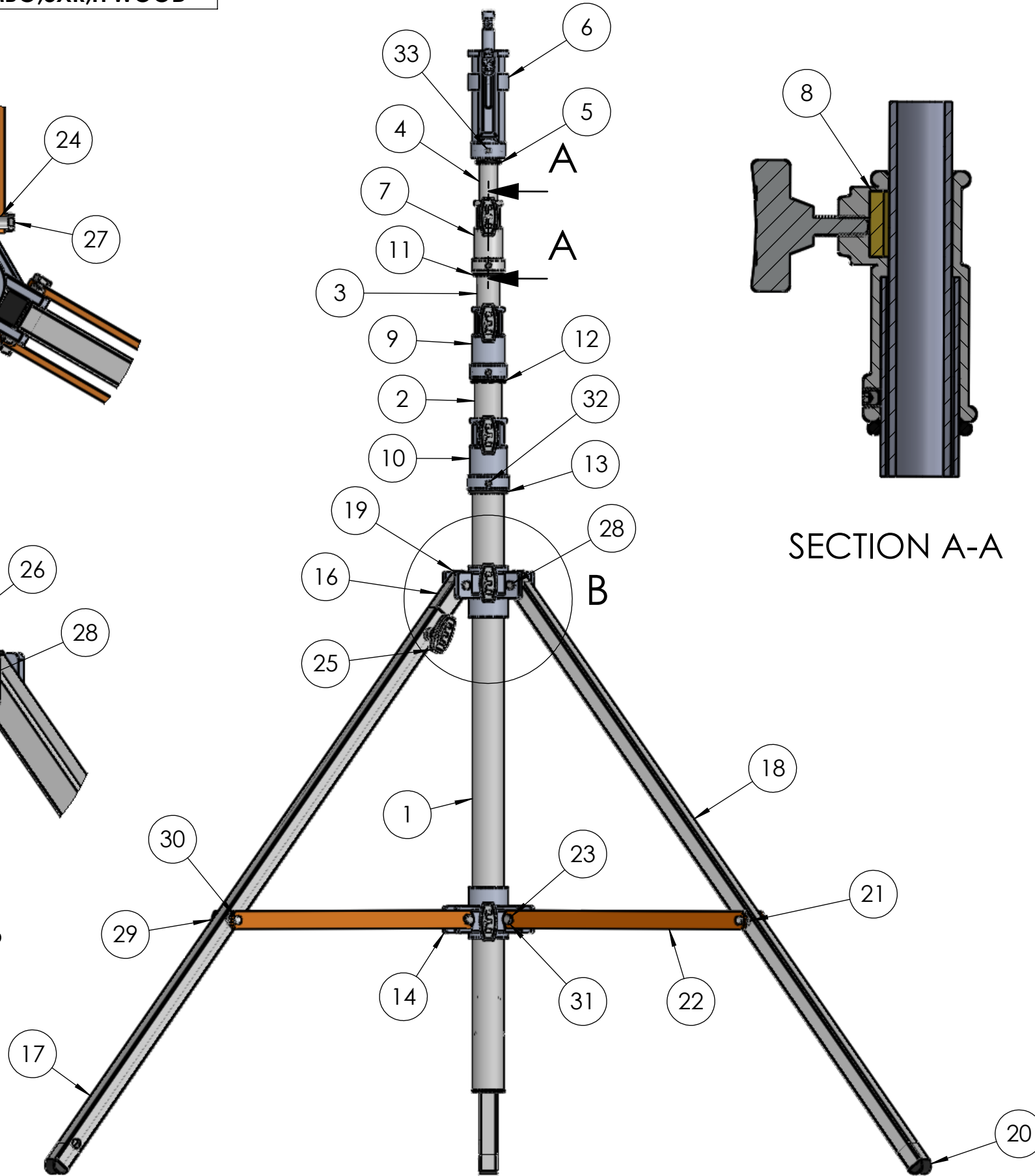


PART #	DESCRIPTION
366165	STD,COMBO,3XR,H'WOOD



DETAIL B



SECTION A-A

ITEM NO.	PART NUMBER	DESCRIPTION	QTY.
1	11002	RISER TUBE, ST, 1.75 DIA., .065W, @ 36.0" FLAIED	1
2	12004	TB, ST, 1.5D, @39.0", FLAIR	1
3	13002	TB, ST, 1.25D, @43.0", FLAIR	1
4	366065-6	TOP RISR WMT, 1.0D, 47"HD	1
5	3001/100	O-RING, #318, 1.0" ID	1
6	4007	POP-UP HSG ASY, JR-V W/THANDLE	1
7	4010	RISR HSG#54, 1.25->1.0W/THANDL	1
8	62102-01	NEW BRAKE BRASS PAD LARGE	3
9	4003	RISR HSG, #56, 1.5->1.25DW/THNDL	1
10	4002	RISR HSG#76, 1.75->1.5D W/THNDL	1
11	3016/100	O-RING, #322, 1.25 ID	1
12	3005/100	O-RING, #325, 1.5 ID	1
13	3010/100	O-RING, #327, 1.75 ID	1
14	4009	SPIDR HSG:#112:1.75D	2
15	62101-01	BRAKE BRASS PAD MEDIUM	2
16	2015-2	RML EXT WMT, ST, 18"	1
17	366165-8	HWOOD COMBO RML LOWER WMT 1.0 SQ, @ 39.5"	1
18	16007	LEG, ST, 1.0SQ, @ 42.0 BLK	2
19	3019/100	CAP, BLK, FITS, 1.0 SQ, #16	3
20	3020	FOOT, BLK, FITS, 1.0 SQ, #16	3
21	3018/100	SPACR, NYL, .625D @ .375" #167 NN	6
22	H28004	BRACE, AL, 1.0 X .25, @ 15.6" ORANGE ANODIZE	6
23	1106/100	BSH, AL, .44 X .34, @ .285	6
24	1096/100	SPACR, AL, .375 X .29 @ .407	2
25	2109	T-HAND, B, 3/8-16, @.88:, NURLD	1
26	2111	T-HAND, 3/8-16, @.88" BULLET	5
27	1095/100	CS, HX, 1/4-20, @ 2.75" GR5	1
28	1100/100	CS, HX, 1/4-20, @ 2.0", GR5	2
29	1229/100	LNUT, HX, 1/4-20, THIN	6
30	1092/100	CS, HX, 1/4-20, @ 2.5"	3
31	1124/100	CS, HX, 5/16-18, @ .63"	6
32	1104/100	SET, SC, 5/16-18, @.25"SNK PLT K	9
33	25-1127	SET, SOC, SS. 5/16-18, @ .5"	3