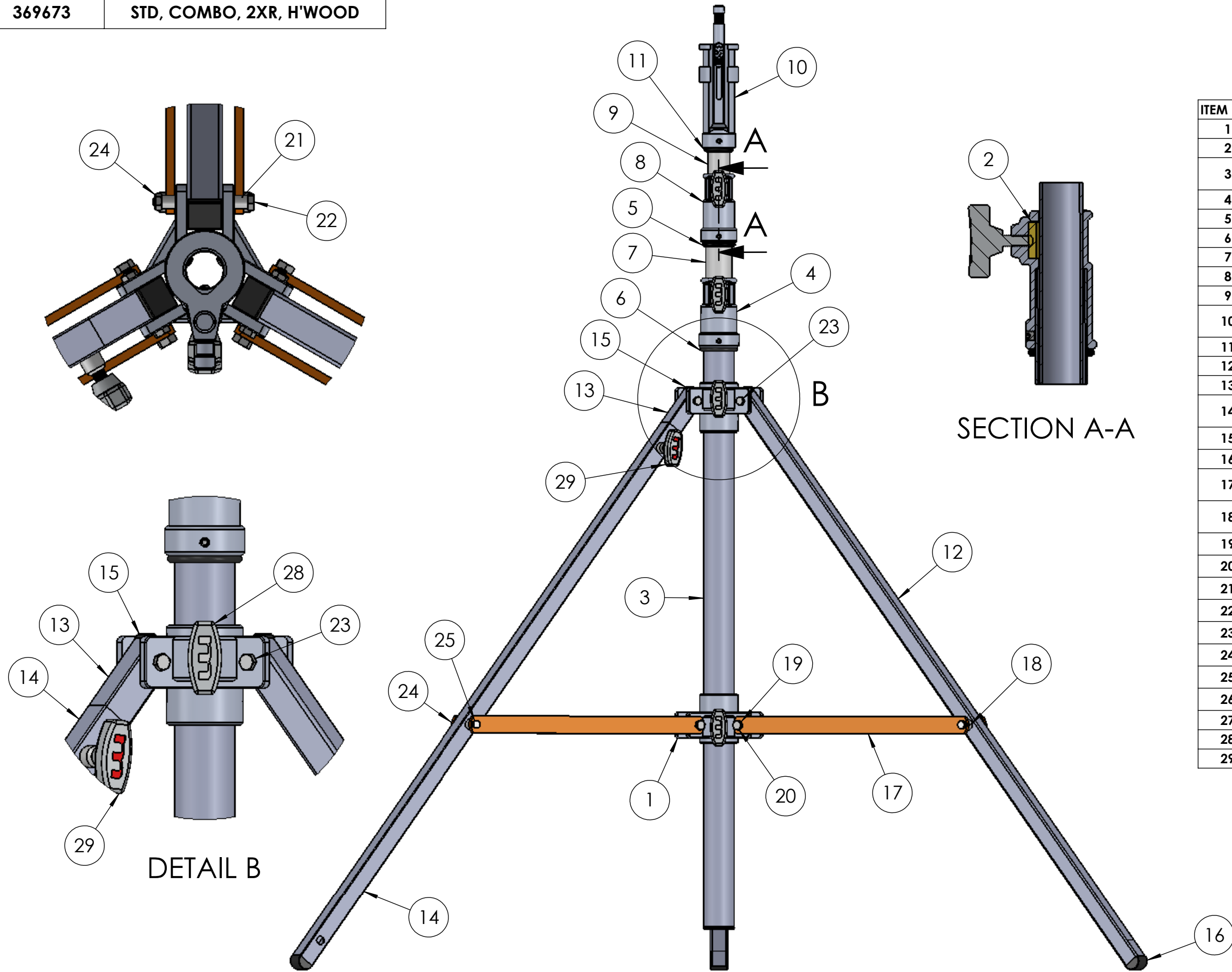


PART #	DESCRIPTION
369673	STD, COMBO, 2XR, H'WOOD



ITEM NO.	PART NUMBER	DESCRIPTION	QTY.
1	4009	SPIDR HSG:#112:1.75D	2
2	62102-01	NEW BRAKE BRASS PAD LARGE	4
3	11002	RISER TUBE, ST, 1.75 DIA., .065W, @ 36.0" FLAIED	1
4	4002	RISR HSG#76,1.75->1.5D W/THNDL	1
5	3005/100	O-RING, #325, 1.5 ID	1
6	3010/100	O-RING, #327, 1.75 ID	1
7	12004	TB, ST, 1.5D, @39.0", FLAIR	1
8	4003	RISR HSG,#56,1.5->1.25DW/THNDL	1
9	13002	TB, ST, 1.25D, @43.0", FLAIR	1
10	4007	POP-UP HSG ASY,JR-V W/THANDLE	1
11	3016/100	O-RING, #322, 1.25 ID	1
12	16007	LEG, ST, 1.0SQ, @ 42.0 BLK	2
13	2015-2	RML EXT WMT, ST, 18"	1
14	366165-8	HWOOD COMBO RML LOWER WMT 1.0 SQ, @ 39.5"	1
15	3019/100	CAP, BLK, FITS, 1.0 SQ, #16	3
16	3020	FOOT, BLK, FITS, 1.0 SQ, #16	3
17	H28004	BRACE, AL, 1.0 X .25, @ 15.6" ORANGE ANODIZE	6
18	3018/100	SPACR, NYL, .625D @ .375" #167 NN	6
19	1106/100	BSH, AL, .44 X .34, @ .285	6
20	1124/100	CS, HX, 5/16-18, @ .63"	6
21	1096/100	SPACR, AL, .375 X .29 @ .407	2
22	1095/100	CS, HX, 1/4-20, @ 2.75" GR5	1
23	1100/100	CS, HX, 1/4-20, @ 2.0", GR5	2
24	1229/100	LNUT, HX, 1/4-20, THIN	6
25	1092/100	CS,HX,1/4-20,@2.5"	3
26	1104/100	SET, SC, 5/16-18, @.25"SNK PLT K	6
27	25-1127	SET, SOC,SS, 5/16-18, @ .5"	3
28	2111	T-HAND, 3/8-16, @.88" BULLET	4
29	2109	T-HAND, B, 3/8-16, @.88:, NURLD	1