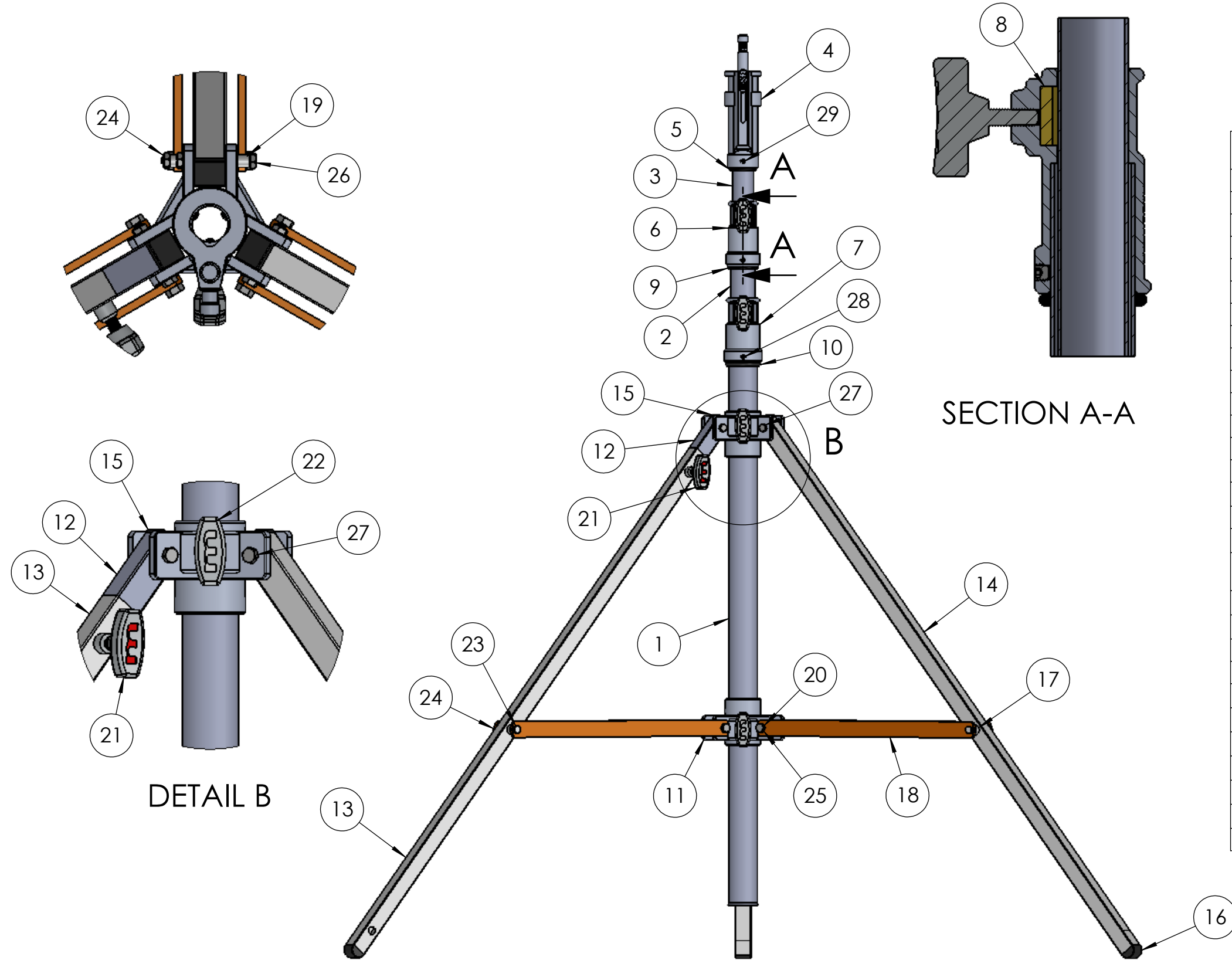


PART #	DESCRIPTION
369764	STD, COMBO, 2XR, H"WOOD ALUM



ITEM NO.	PART NUMBER	DESCRIPTION	QTY.
1	21000	TB, AL, 1.75D, @ 36.0", FLAIR	1
2	22001	TB, AL, 1.5D, @ 39.0", FLAIR	1
3	369574-5	TB, AL, 1.25D, @43.0" FLAIR	1
4	4007	POP-UP HSG ASY, JR-V W/THANDLE	1
5	3016/100	O-RING, #322, 1.25 ID	1
6	4003	RISR HSG, #56, 1.5->1.25DW/THNDL	1
7	4002	RISR HSG, #76, 1.75->1.5D W/THNDL	1
8	62102-01	NEW BRAKE BRASS PAD LARGE	4
9	3005/100	O-RING, #325, 1.5 ID	1
10	3010/100	O-RING, #327, 1.75 ID	1
11	4009	SPIDR HSG: #112:1.75D	2
12	2015-2	RML EXT WMT, ST, 18"	1
13	369764-2	RML LWR WMT, AL, 39.5"	1
14	369764-1	LEG, AL, 1.0 SQ, @ 42.0"	2
15	3019/100	CAP, BLK, FITS, 1.0 SQ, #16	3
16	3020	FOOT, BLK, FITS, 1.0 SQ, #16	3
17	3018/100	SPACR, NYL, .625D @ .375" #167 NN	6
18	H28004	BRACE, AL, 1.0 X .25, @ 15.6" ORANGE ANODIZE	6
19	1096/100	SPACR, AL, .375 X .29 @ .407	2
20	1106/100	BSH, AL, .44 X .34, @ .285	7
21	2109	T-HAND, B, 3/8-16, @.88:, NURLD	1
22	2111	T-HAND, 3/8-16, @.88" BULLET	4
23	1092/100	CS, HX, 1/4-20, @2.5"	3
24	1229/100	LNUT, HX, 1/4-20, THIN	7
25	1124/100	CS, HX, 5/16-18, @ .63"	6
26	1095/100	CS, HX, 1/4-20, @ 2.75" GR5	1
27	1100/100	CS, HX, 1/4-20, @ 2.0", GR5	2
28	1104/100	SET, SC, 5/16-18, @.25" SNK PLT K	6
29	25-1127	SET, SOC, SS. 5/16-18, @ .5"	3