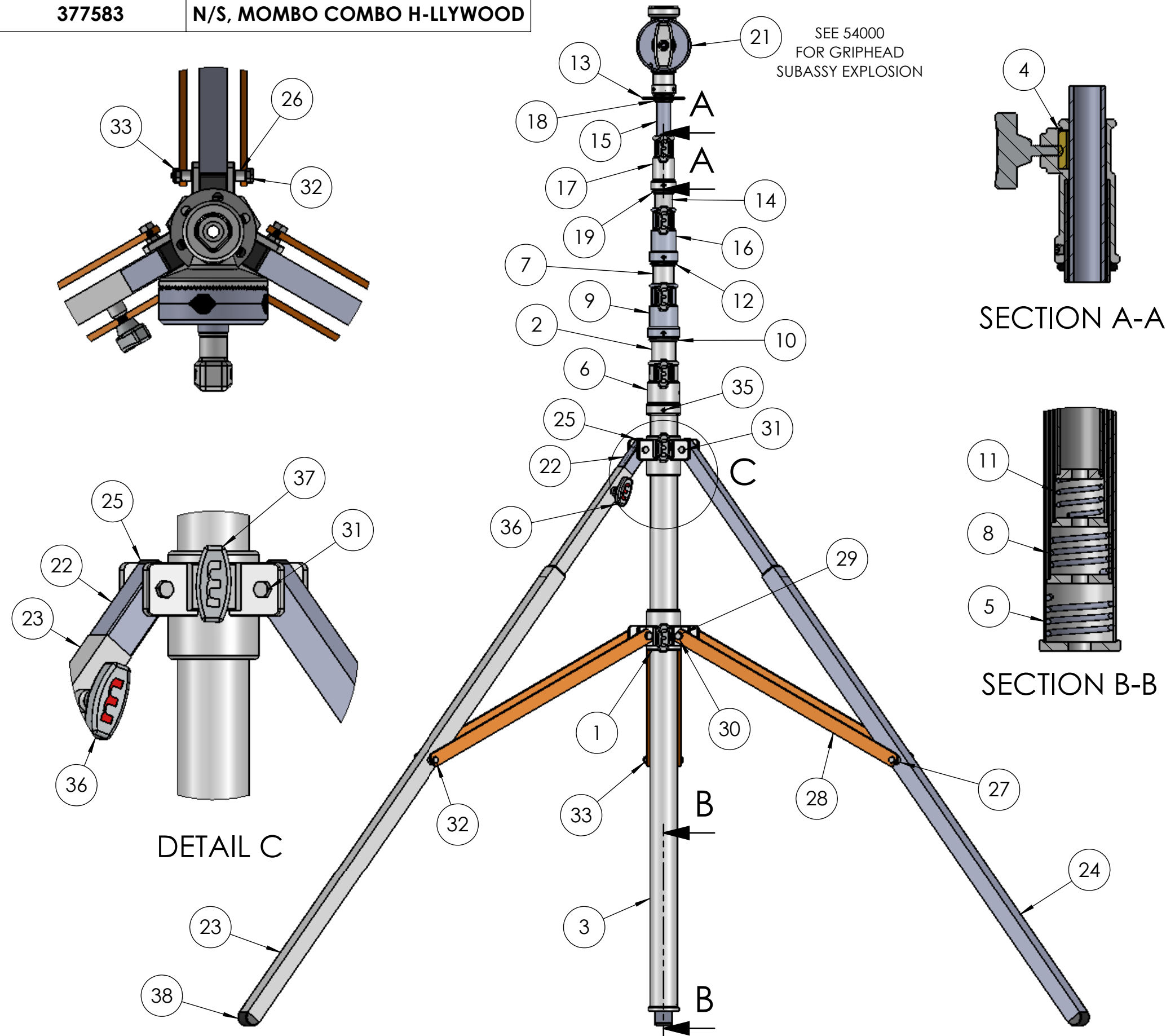


PART #	DESCRIPTION
377583	N/S, MOMBO COMBO H-LLYWOOD



ITEM NO.	PART NUMBER	DESCRIPTION	QTY.
1	6012	SPIDR HSG, 2.0"	2
2	377583-5	RISER, WMT, ST, 1.75 @ 50 MCOMBO	1
3	377578-5	MOMBO COMBO BASE TUBE WMT 2.0 DIA. @ 46.0"	1
4	62102-01	NEW BRAKE BRASS PAD LARGE	6
5	19025/100	SPG, COMP, 1.812D, .148W, @1.25"	1
6	6052	RISR HSG#87,2.0->1.75DW	1
7	377583-4	RISER, WMT, ST, 1.5 @ 54 MCOMBO	1
8	19026/100	SPG,COMP,1.531D,.142W,@1.25'	1
9	4002	RISR HSG#76,1.75->1.5D W/THNDL	1
10	3010/100	O-RING, #327, 1.75 ID	1
11	19024/100	SPG, COMP, 1.25D, .120W, @1.25"	1
12	3005/100	O-RING, #325, 1.5 ID	1
13	18099-06	MOMBO COMBO ANCHOR COLLAR, ST, #11, @ 3.15D	1
14	377583-3	TB, WMT, ST, 1.25 @ 58 MCOMBO	1
15	14017	TB, ST, 1.0D, #11, @59.5" FLAIR	1
16	4003	RISR HSG,#56,1.5->1.25DW/THNDL	1
17	4010	RISR HSG#54,1.25->1.0W/THANDL	1
18	3001/100	O-RING, #318, 1.0" ID	2
19	3016/100	O-RING, #322, 1.25 ID	1
21	54000	OVERHEAD STANDS 4" GRIPHEAD SUB ASSEMBLY	1
22	2015-2	RML EXT WMT, ST, 18"	1
23	377583-2	RML, LEG, WMT 1.25 X 1 @ 51.5 MCOMBO	1
24	377583-1	LEG, WMT, ST, 1.25 X 1 @ 54 MCOMBO	2
25	3019/100	CAP, BLK, FITS, 1.0 SQ, #16	3
26	1096/100	SPACR, AL, .375 X .29 @ .407	2
27	3018/100	SPACR, NYL, .625D @ .375" #167 NN	6
28	H28005	BRACE, AL, 1.0 X .25, @ 21.0" ORANG	6
29	1106/100	BSH, AL, .44 X .34, @ .285	6
30	1124/100	CS, HX, 5/16-18, @ .63"	6
31	1100/100	CS, HX, 1/4-20, @ 2.0", GR5	2
32	1095/100	CS, HX, 1/4-20, @ 2.75" GR5	4
33	1229/100	LNUT, HX, 1/4-20, THIN	6
34	25-0231	SET:SOC,5/16-18@.375",SS,18-8	3
35	1104/100	SET, SC, 5/16-18, @.25"SNK PLT K	12
36	2109	T-HAND, B, 3/8-16, @.88:, NURLD	1
37	2111	T-HAND, 3/8-16, @.88" BULLET	6
38	377583-6	FOOT, BLK ,FITS, 1.25" x 1.25" MOMBO	3