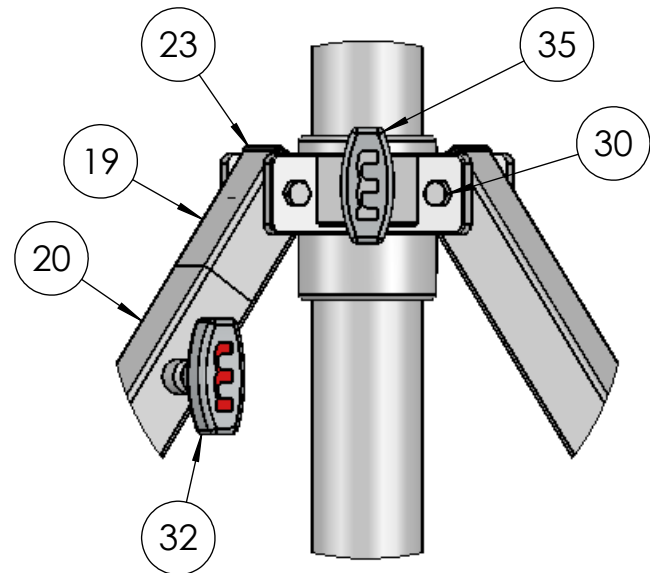
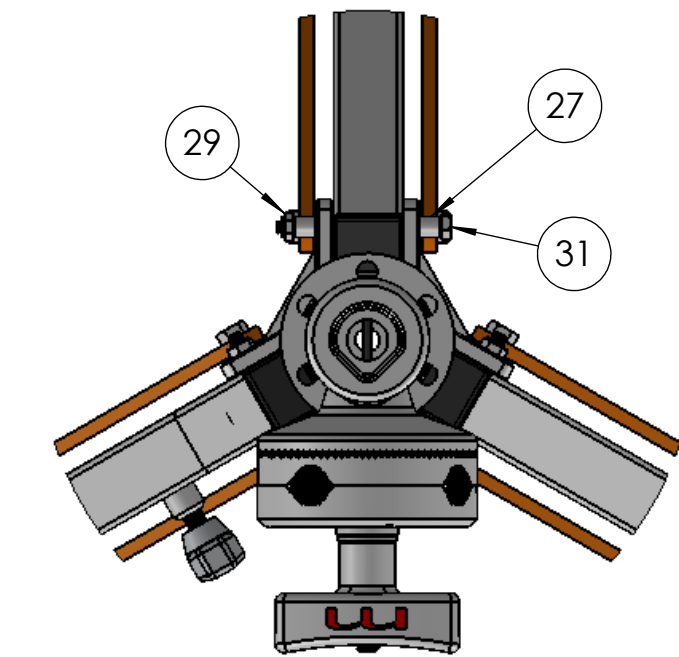
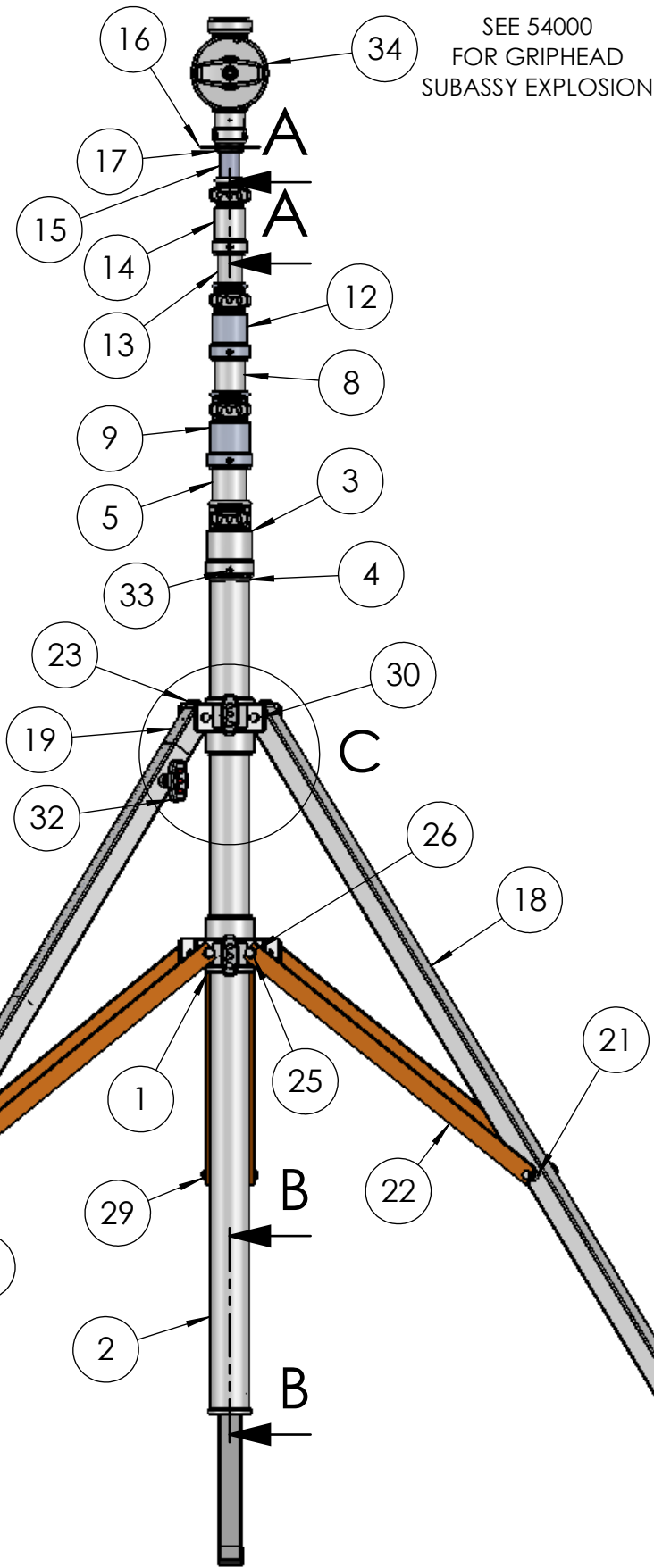
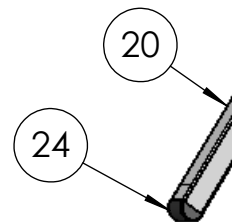


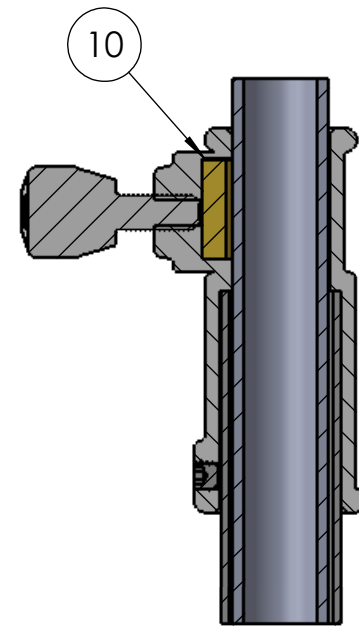
PART #	DESCRIPTION
377591	MOMBO COMBO NEW STYLE



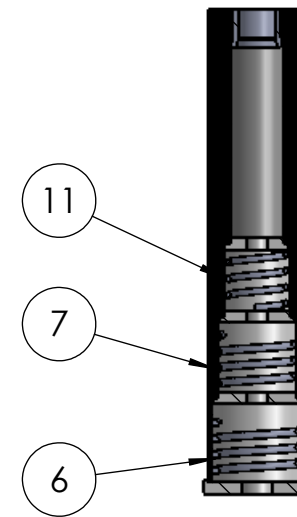
DETAIL C



SEE 54000  
FOR GRIPHEAD  
SUBASSY EXPLOSION



SECTION A-A



SECTION B-B

ITEM NO.	PART NUMBER	DESCRIPTION	QTY.
1	6014	SPIDR HSG, 2.98"	2
2	377578-5	MOMBO COMBO BASE TUBE WMT 2.0 DIA. @ 46.0"	1
3	6052	RISR HSG#87,2.0->1.75DW	1
4	3010/100	O-RING, #327, 1.75 ID	1
5	377583-5	RISER, WMT, ST, 1.75 @ 50 MCOMBO	1
6	19025/100	SPG, COMP, 1.812D, .148W, @1.25"	1
7	19026/100	SPG,COMP,1.531D,.142W,@1.25"	1
8	377583-4	RISER, WMT, ST, 1.5 @ 54 MCOMBO	1
9	4002	RISR HSG#76,1.75->1.5D W/THNDL	1
10	62102-01	NEW BRAKE BRASS PAD LARGE	6
11	19024/100	SPG, COMP, 1.25D, .120W, @1.25"	1
12	4003	RISR HSG,#56,1.5->1.25DW/THNDL	1
13	377583-3	TB, WMT, ST, 1.25 @ 58 MCOMBO	1
14	4010	RISR HSG#54,1.25->1.0W/THANDL	1
15	14017	TB, ST, 1.0D, #11, @59.5" FLAIR	1
16	18099-06	MOMBO COMBO ANCHOR COLLAR, ST, #11, @ 3.15D	1
17	3001/100	O-RING, #318, 1.0" ID	2
18	11035-04	TB, LEG, 1.25SQ .065 W @ 54	2
19	377591-8	RML EXT WMT, NEW MOMBO	1
20	11035-05	RML LWR WMT,ST, NEW MOMBO	1
21	3018/100	SPACR, NYL, .625D @ .375" #167 NN	6
22	28005	MOMBO COMBO BRACE, AL 1.0 X .25, @ 21.0"	6
23	377591-9	CAP, BLK, FITS, 1.26X1.26	3
24	377591-7	FOOT, BLK, FITS, 1.275 X 1.525	3
25	1106/100	BSH, AL, .44 X .34, @ .285	6
26	1124/100	CS, HX, 5/16-18, @ .63"	6
27	1096/100	SPACR, AL, .375 X .29 @ .407	2
28	1095/100	CS, HX, 1/4-20, @ 2.75" GR5	3
29	1229/100	LNUT, HX, 1/4-20, THIN	6
30	1091/100	CS, HX, 1/4-20, @2.25"	2
31	1098/100	CS: HX, 1/4-20 @ 3", ALLOY, ZINC G5	1
32	2109	T-HAND, B, 3/8-16, @.88:; NURLD	5
33	1104/100	SET, SC, 5/16-18, @.25"SNK PLT K	15
34	54000	OVERHEAD STANDS 4" GRIPHEAD SUB ASSEMBLY	1
35	2111	T-HAND, 3/8-16, @.88" BULLET	2